

PHOTOMETRIC	APPLICATION	SPECIFICATION	DIMMABLE
	Signage : Lettering Back Lighting Depth : 120 ~ 200mm	Drive Mode DC24V(CV) Beam Angle 120° (Flat Cover) Waterproof IP67 Dimmable External Driver Indoor Outdoor Custom Order	DIM PWM TRIAC DALI DMX SPI



**Input Voltage**  
DC 24V

\*\* Come with 15 numbers of LED modules in one chain

### General / Others Specification

Items	Specification
Driven Method	DC24V (Constant Voltage)
Beam Angle	120° (Flat Cover)
CRI	-
LED Module Pitch	300 ± 10 mm
LED Colour Bin	-
Environment	Indoor / Outdoor (IP67)**1
Expected LED Life Span	L <sub>70</sub> = 20,000hrs @ 25°C
Operation Temp. / Hum.	-20°C ~ 50°C / 20% ~ 85% RH
Storage Temp.	-20°C ~ 70°C

\*\*1 Not Suitable for use under direct Sun application

### Order / Model Code

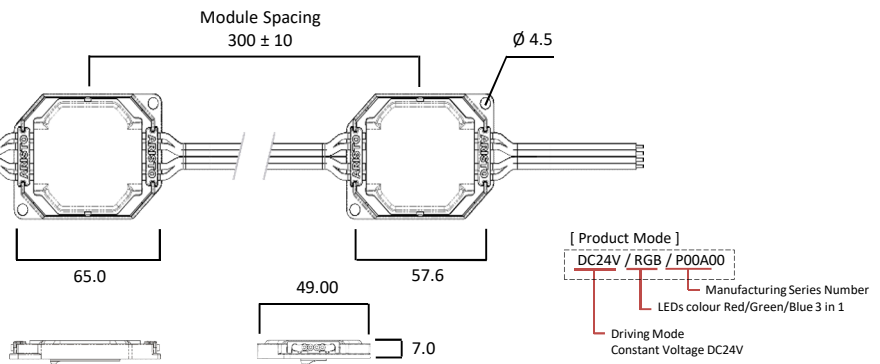
<b>APC1V24</b>	-	□	□ □	-	□
<b>PRODUCT NAME</b>	-	<b>SYSTEM</b>	<b>COLOUR</b>	-	<b>LED VERSION</b>
RGB Grande		D : Dynamic Nil : Normal	RGB : Red/Green/Blue LEDs 3 in 1 R : Std. Red G : Std. Green B : Std. Blue		X

### Basic Specifications (Unit:mm)

#### Non\_IC

White Cable (+) DC24V  
Red Cable - Red Colour  
Green Cable - Green Colour  
Blue Cable - Blue Colour

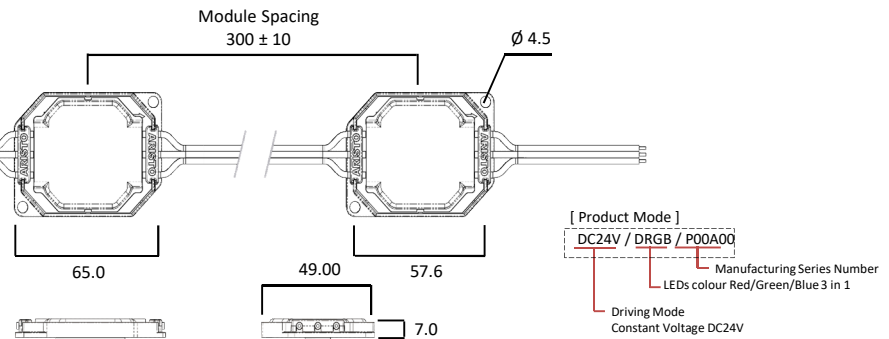
The decoder input direction →



#### IC

Red Cable (+) DC24V  
Green Cable - Data  
White Cable - GND

The SPI input direction →



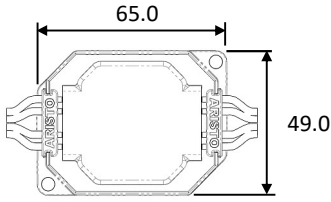
### Specification (@25°C)

Models	CCT	Lumen (lm)	Rated Power (W)	Pitch (mm)	Size (L x W x H) (mm)	Ave.Weight (g)
APC1V24-DRGB_X (IC)	Red/Green/Blue(LEDs 3in1)	62@White	1.44 @ White	300 ± 10	65.0 x 49.0 x 6.70	24.0
APC1V24-RGB_X (Non IC)	Red/Green/Blue(LEDs 3in1)	62@White	1.44 @ White			

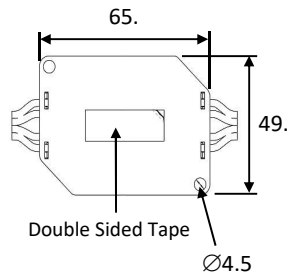
\*\* Wire gauge : AWG18 x 4 single core (Non\_IC) / AWG18 x 3 single core (IC)

■ **Design Item**

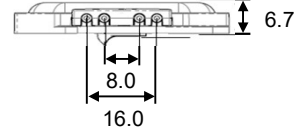
**View : Top (Non\_IC)**



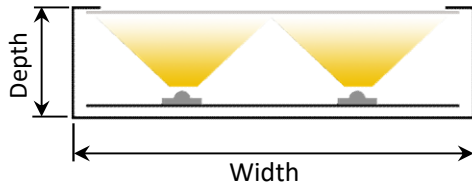
**View : Bottom (Non\_IC)**



**View : Side (Non\_IC)**



● **Depth and Pitch**



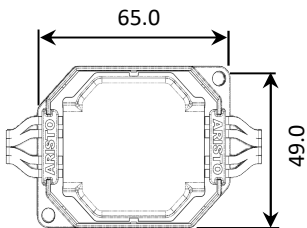
$P = D + 10 \sim 20$

Depth - Pitch	Lux Level
D60 - P80	5700lx
D80 - P100	4100lx
D100 - P120	3200lx
D150 - P120	2200lx

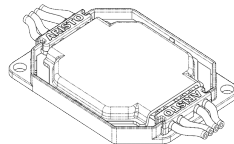
■ **General Specification (Unit : mm)**

**Grande RGB (Non IC)**

**View : Top**



**View : Side**

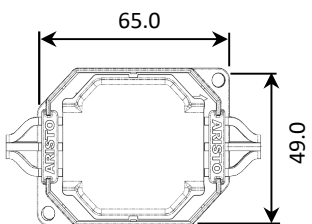


**Non-IC Type Wire Colour Code**

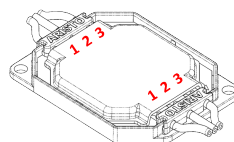
1	White Input	+DC24V
2	Red	Red LED
3	Green	Green LED
4	Blue	Blue LED

**Grande RGB (IC)**

**View : Top**



**View : Side**



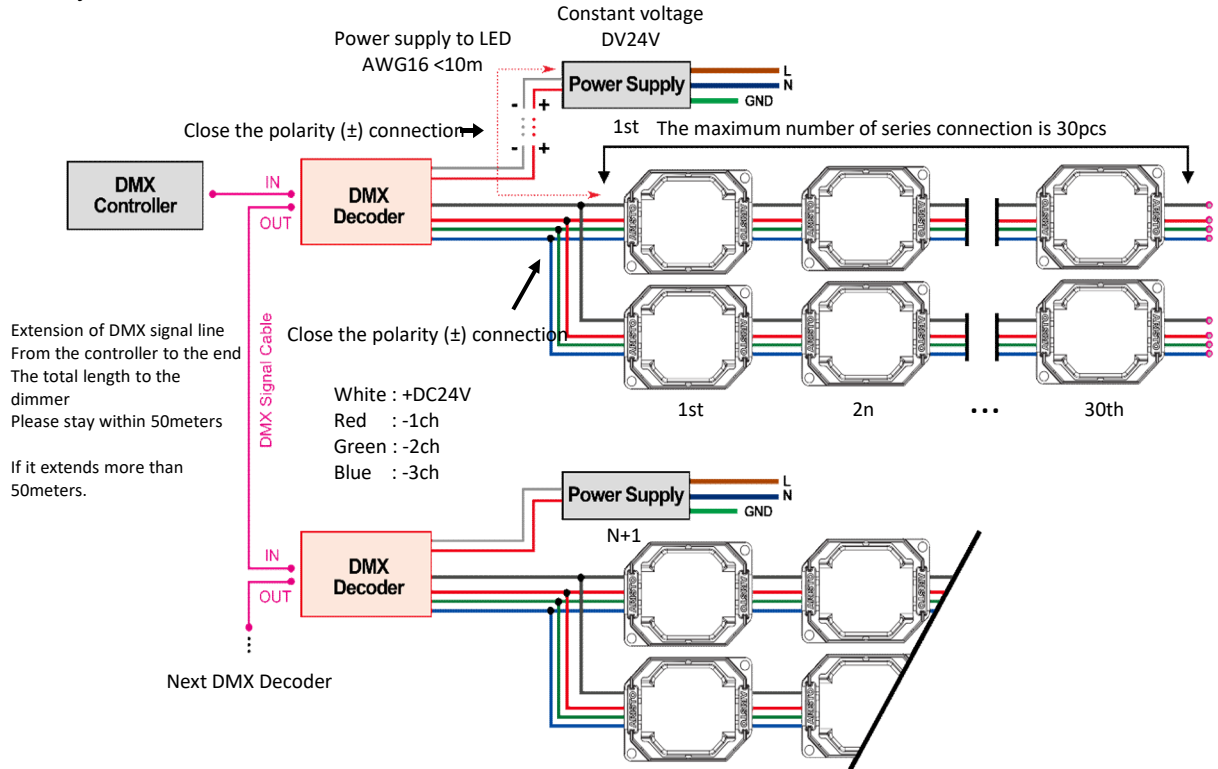
**Non-IC Type Wire Colour Code**

1	Red Input	+DC24V
2	Green	Data
3	White	GND

**Wiring Method**

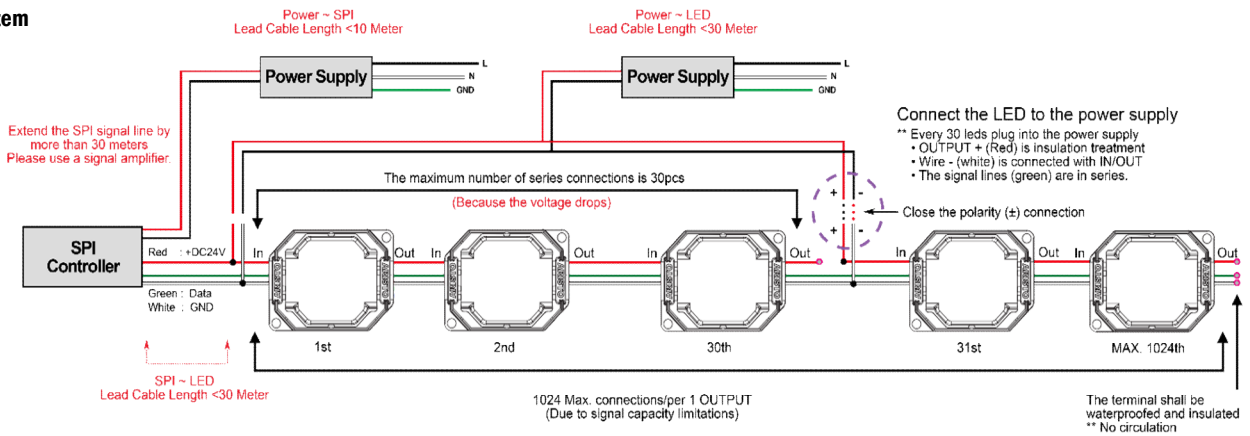
**RGB Grande (Non IC)**

**DMX Controller System**



**RGB Grande (IC)**

**SPI System**



< About dimmers >

- In addition, the use of the mother machine can be multiple synchronization. Please consult for details.
- In addition, the dimmer is a special dimmer for this LED. Please do not use it with products from other companies.