

PHOTOMETRIC	APPLICATION	SPECIFICATION	DIMMABLE
	Signage : Back Lighting Box Depth : 120 ~ 200mm		



**Input Voltage
DC 24V**

** Come with 15 numbers of LED modules in one chain

General / Others Specification

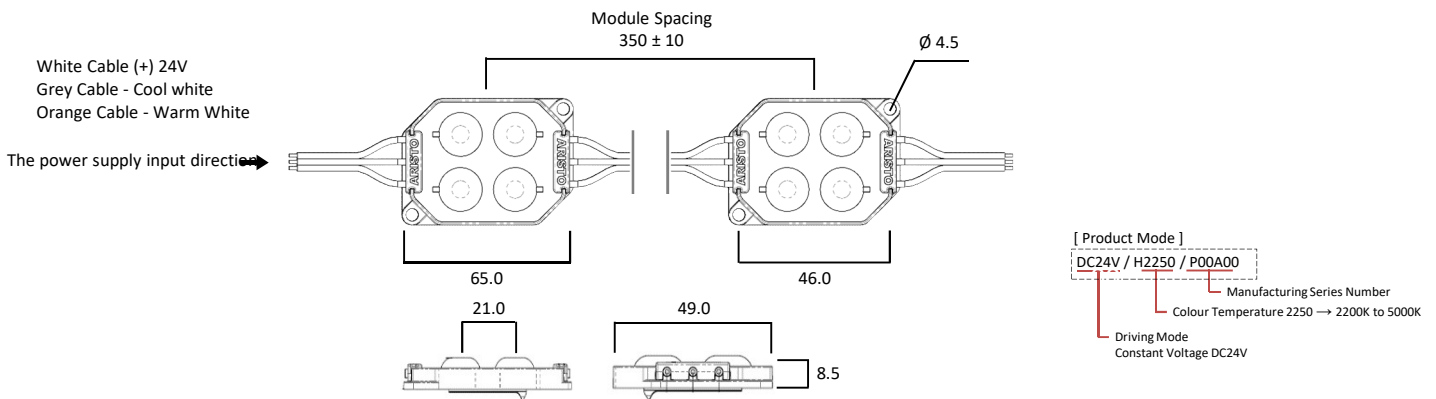
Items	Specification
Driven Method	DC24V (Constant Voltage)
Beam Angle	155°
CRI	> Ra90
LED Module Pitch	350 ± 10 mm
LED Colour Bin	3 Steps MacAdam
Environment	Indoor / Outdoor (IP67)**1
Expected LED Life Span	L ₇₀ = 40,000hrs @ 25°C
Operation Temp. / Hum.	-20°C ~ 50°C / 20% ~ 85% RH
Storage Temp.	-20°C ~ 70°C

**1 Not Suitable for use under direct Sun application

Order / Model Code

PWT1V24	-	<input type="checkbox"/>	<input type="checkbox"/> <input type="checkbox"/> <input type="checkbox"/> <input type="checkbox"/>	-	<input type="checkbox"/>	-	<input type="checkbox"/>
PRODUCT NAME	-	FLUX LEVEL	BEAM ANGLE	-	CRI	-	LED VERSION
Penta Wide Tunable	-	H : High	2250 : 2200K - 5000K	-	E : > 90	-	X

Basic Specifications (Unit:mm)



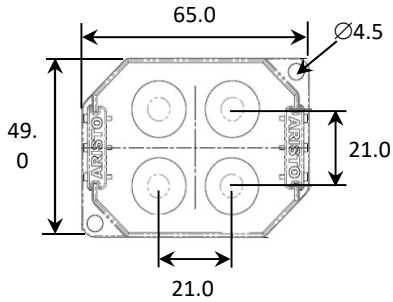
Specification (@25°C)

Models	CCT	Driven (%)	Lumen @ 3600K (lm)	Rated Power (W)	CRI (Ra)	Beam Angle (°)	Size (L x W x H) (mm)	Ave.Weight (g)
PWT1V24-H2250E_X	2200K	100	145	2.40	>90	155	65.0 x 49.0 x 8.5	42.6
	5000K	100	180	2.40				
	2200K to 5000K	100 + 100	315	4.80				

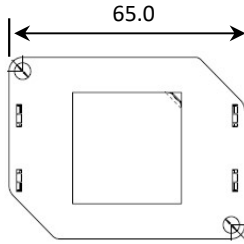
** Wire gauge : AWG18 x 2 single core

■ Design Item

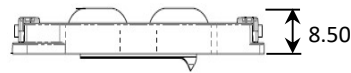
View : Top



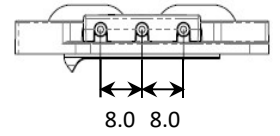
View : Bottom



View : Side



View : Side



■ Wiring Method

