

PHOTOMETRIC	APPLICATION	SPECIFICATION	DIMMABLE
	Signage : Lettering Light Box CVL Depth : 50 ~ 80mm CVH Depth : 80~ 150mm		



**Input Voltage  
DC 24V**

\*\* Come with 30 (Low Flux) / 20 (High Flux) numbers of LED modules in one chain

### General / Others Specification

Items	Specification
Driven Method	DC24V (Constant Voltage)
Beam Angle	155°
CRI	> Ra80
LED Module Pitch	250 ± 10 mm (High) / 150 ± 10 mm (Low)
LED Colour Bin	3 Steps MacAdam
Environment	Indoor / Outdoor (IP67)**
Expected LED Life Span	L <sub>70</sub> = 40,000hrs @ 25°C
Operation Temp. / Hum.	-20°C ~ 50°C / 20% ~ 85% RH
Storage Temp.	-20°C ~ 70°C

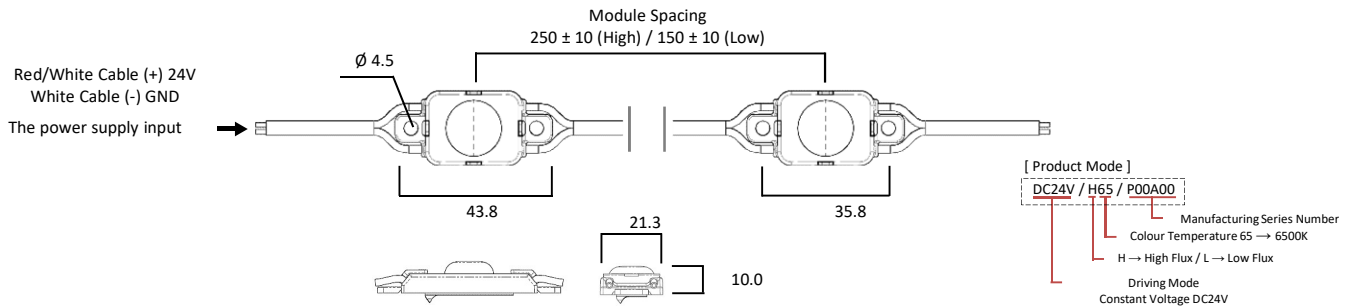
\*\*1 Not Suitable for use under direct Sun application

### Order / Model Code

**APW4V**

PRODUCT NAME	FLUX LEVEL	CCT	CRI	LED VERSION
Penta Wide IV CV	H : High L : Low	65 : 6500K    35 : 3500K 50 : 5000K    30 : 3000K 40 : 4000K    27 : 2700K	H : > 80	X

### Basic Specifications (Unit:mm)



### Specification (@25°C)

Models	CCT	Lumen (lm)	CRI (Ra)	Rated Power (W)	Pitch (mm)	Beam Angle (°)	Housing	Size (L x W x H) (mm)	Ave. Weight (g)
APW4V-H65H_X	6500K	125	> 80	1.05	250 ± 10	155	Clear	43.8 x 21.3 x 10.0	11.2
APW4V-H50H_X	5000K	125							
APW4V-H40H_X	4000K	125							
APW4V-H35H_X	3500K	120							
APW4V-H30H_X	3000K	115							

\*\* Wire gauge : AWG18 x 2 single core

Models	CCT	Lumen (lm)	CRI (Ra)	Rated Power (W)	Pitch (mm)	Beam Angle (°)	Housing	Size (L x W x H) (mm)	Ave. Weight (g)
APW4V-L65H_X	6500K	47	> 80	0.35	150 ± 10	155	Clear	43.8 x 21.3 x 10.0	8.8
APW4V-L50H_X	5000K	47							
APW4V-L40H_X	4000K	47							
APW4V-L35H_X	3500K	45							
APW4V-L30H_X	3000K	43							

\*\* Wire gauge : AWG18 x 2 single core

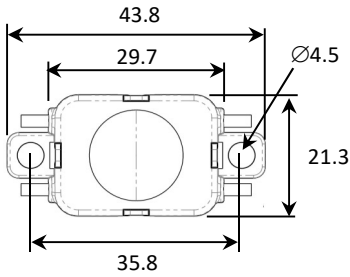
Specification may be subject to change without announcement. Data is only for reference.

www.aristo.com.sg, Tel: (65) 64792358, Fax: (65) 65793558

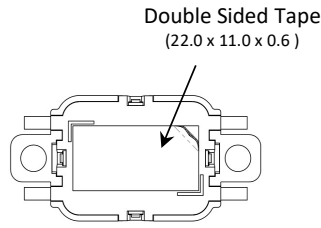
# Penta Wide IV CVH & CVL

## Design Item

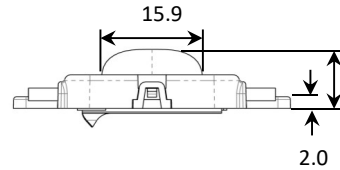
### View : Top



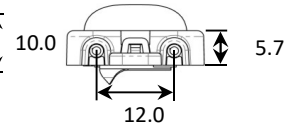
### View : Bottom



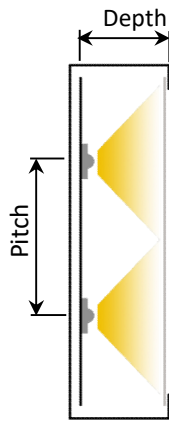
### View : Side



### View : Side



## Depth and Pitch



### Penta Wide IV CVH ( 1D : 2P)

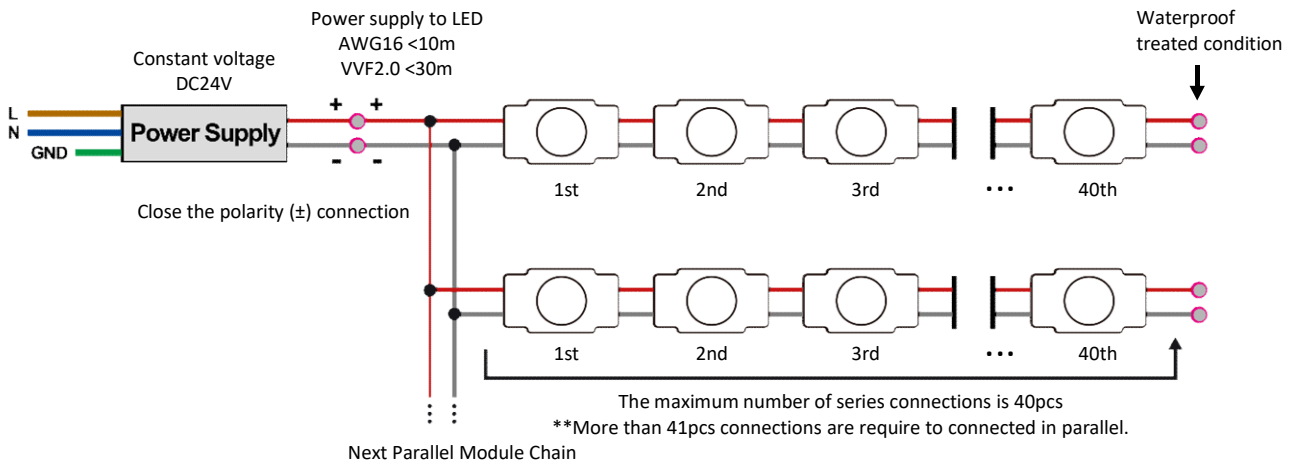
Depth - Pitch	Lux Level
D80 - P120	5600 lx
D80 - P150	4000 lx
D100 - P180	3000 lx
D120 - P200	2500 lx

### Penta Wide IV CVL ( 1D : 1.6P)

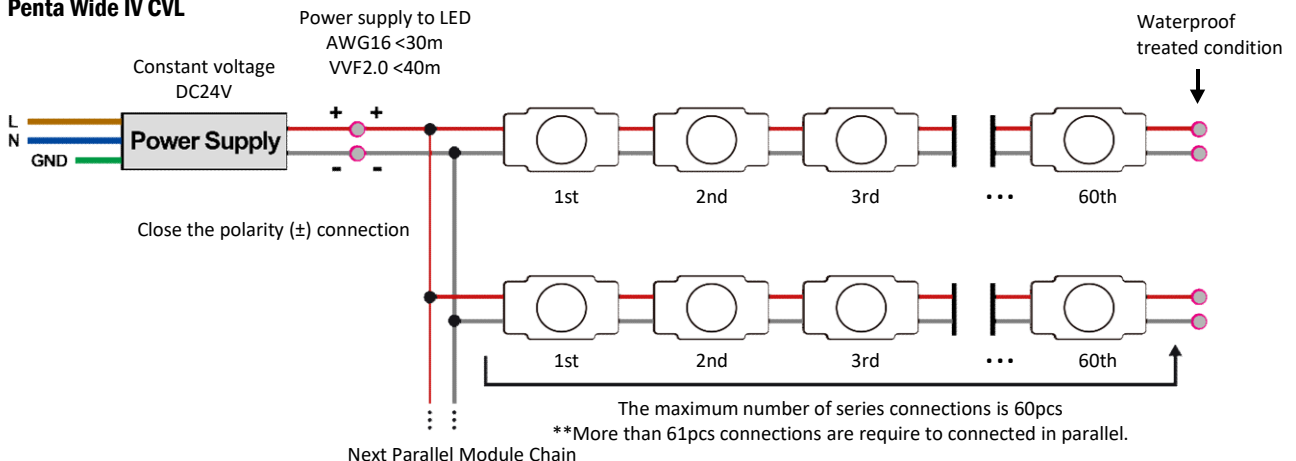
Depth - Pitch	Lux Level
D50 - P80	5600 lx
D60 - P100	3700 lx
D70 - P110	3000 lx
D80 - P120	2500 lx

## Wiring Method

### Penta Wide IV CVH



### Penta Wide IV CVL



Specification may be subject to change without announcement. Data is only for reference.

www.aristo.com.sg, Tel: (65) 64792358, Fax: (65) 65793558

Rev.A (Jun-22)