

PHOTOMETRIC	APPLICATION	SPECIFICATION	DIMMABLE
	Signage : Back Lit Lettering Depth : 80 ~ 150mm		



Input Voltage DC 24V

** Come with 30 numbers of LED modules in one chain

General / Others Specification

Items	Specification
Driven Method	DC24V (Constant Voltage)
Beam Angle	110°
CRI	> Ra80
LED Module Pitch	180 ± 10 mm
LED Colour Bin	3 Steps MacAdam
Environment	Indoor / Outdoor (IP67)**1
Expected LED Life Span	L ₇₀ = 40,000hrs @ 25°C
Operation Temp. / Hum.	-20°C ~ 50°C / 20% ~ 85% RH
Storage Temp.	-20°C ~ 70°C

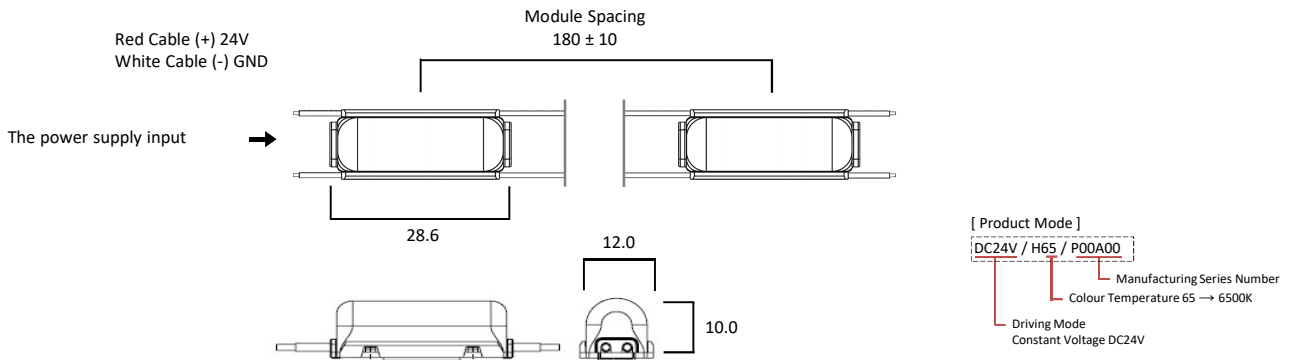
**1 Not Suitable for use under direct Sun application

Order / Model Code

AG1

PRODUCT NAME	FLUX LEVEL	CCT	CRI	LED VERSION
Gem	H : High	6 5 : 6500K 4 0 : 4000K 3 0 : 3000K 2 7 : 2700K	H : > 80	X

Basic Specifications (Unit:mm)



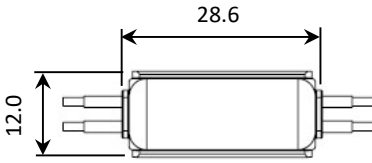
Specification (@25°C)

Models	CCT	Lumen (lm)	CRI (Ra)	Rated Power (W)	Pitch (mm)	Beam Angle (°)	Size (L x W x H) (mm)	Ave.Weight (g)
AG1-H65H_X	6500K	80	>80	0.96	180 ± 10	110	28.6 x 12.0 x 10.0	4.9
AG1-H40H_X	4000K	80						
AG1-H30H_X	3000K	78						
AG1-H27H_X	2700K	72						

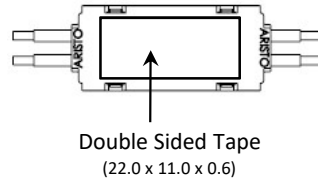
** Wire gauge : AWG22 x 2 single core

■ **Design Item**

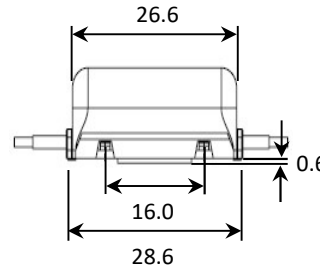
View : Top



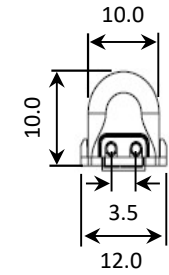
View : Bottom



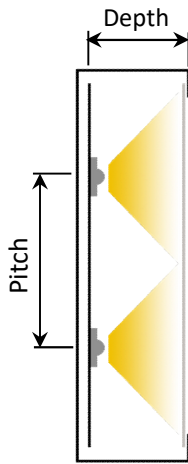
View : Side



View : Side



● **Depth and Pitch**



Depth	Pitch
D50	P80
D60	P100
D80	P120
D150	P120

Lettering Back Lit $P = S \times 1.5 \sim 2.0$

■ **Wiring Method**

