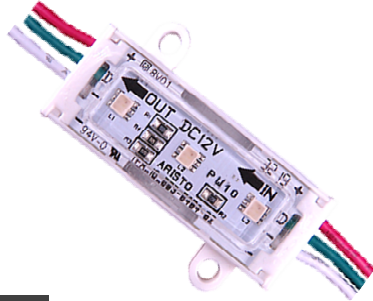


PHOTOMETRIC	APPLICATION	SPECIFICATION	DIMMABLE
	Signage : Lettering Back Lighting Depth : 80 ~ 150mm		

General / Others Specification

Items	Specification
Driven Method	DC12V (Constant Voltage)
Beam Angle	120° (Flat Cover)
CRI	-
LED Module Pitch	195 ± 10 mm
LED Colour Bin	-
Environment	Indoor / Outdoor (IP67)**1
Expected LED Life Span	L ₇₀ = 20,000hrs @ 25°C
Operation Temp. / Hum.	-20°C ~ 50°C / 20% ~ 85% RH
Storage Temp.	-20°C ~ 70°C



**Input Voltage
DC 12V**

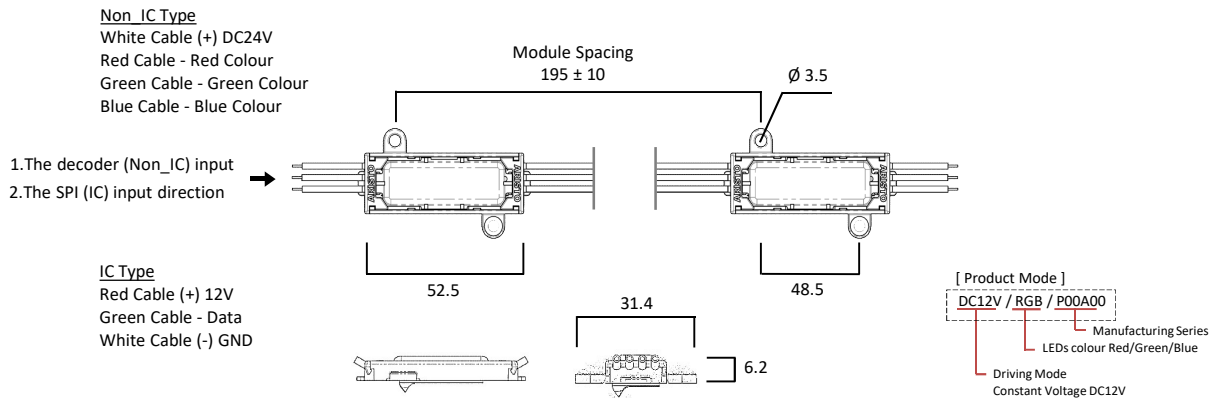
** Come with 30 numbers of LED modules in one chain

**1 Not Suitable for use under direct Sun application

Order / Model Code

ASC1V	-	□ □	-	□
PRODUCT NAME	-	CCT	-	LED VERSION
RGB Trio		DRGB : 3 in 1 (IC) RGB : 3 in 1 (Non IC) SR : Std. Red SG : Std.Green SB : Std.Blue		X

Basic Specifications (Unit:mm)



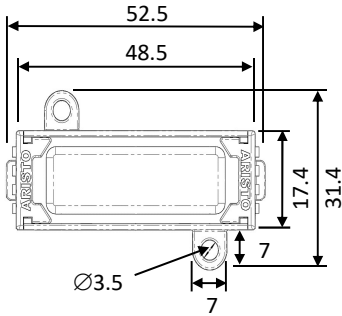
Specification (@25°C)

Models	CCT	Lumen (lm)	Rated Power (W)	Pitch (mm)	Beam Angle (°)	Size (L x W x H) (mm)	Ave.Weight (g)
ASC1V-DRGB_X (IC)	Red/Green/Blue (3in1 LED)	29@White	0.72@White	195 ± 10	120 (Flat Cover)	52.5 x 31.4 x 6.20	11.0
ASC1V-RGB_X (Non IC)	Red/Green/Blue (3in1 LED)	29@White	0.72@White				
ASC1V-SR_X	Standard Red	42	1.20				
ASC1V-SG_X	Standard Green	84	1.20				
ASC1V-SB_X	Standard Blue	22	1.20				

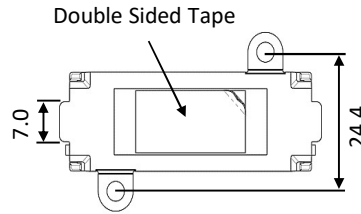
** Wire gauge : AWG20 x 3 single core (IC) / AWG20 x 4 single core (Non_IC)

■ **Design Item**

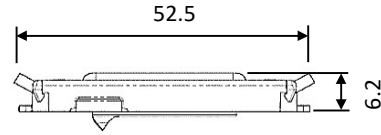
View : Top



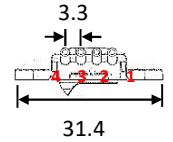
View : Bottom



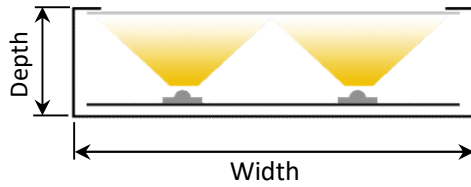
View : Side



View : Side



● **Depth and Pitch**



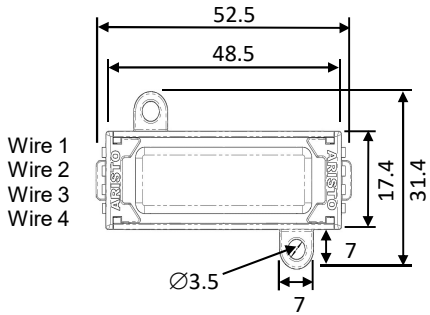
$P = D + 10 \sim 20$

Depth - Pitch	Lux Level
D60 - P80	5700lx
D80 - P100	4100lx
D100 - P120	3200lx
D150 - P120	2200lx

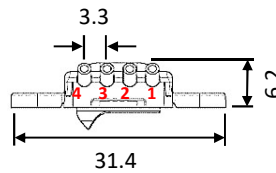
■ **General Specification (Unit : mm)**

Slim RGB (Non IC)

View : Top



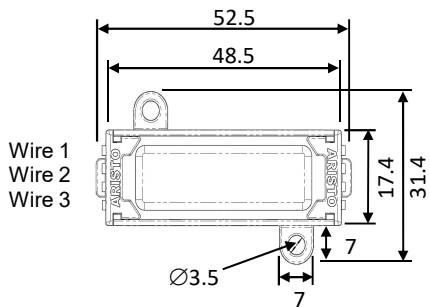
View : Side



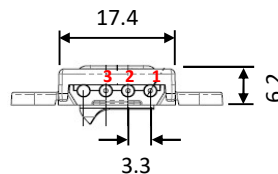
Wire Colour Code		
1	White Input	+DC12V
2	Red	Red LED
3	Green	Green LED
4	Blue	Blue LED

Slim RGB (IC)

View : Top



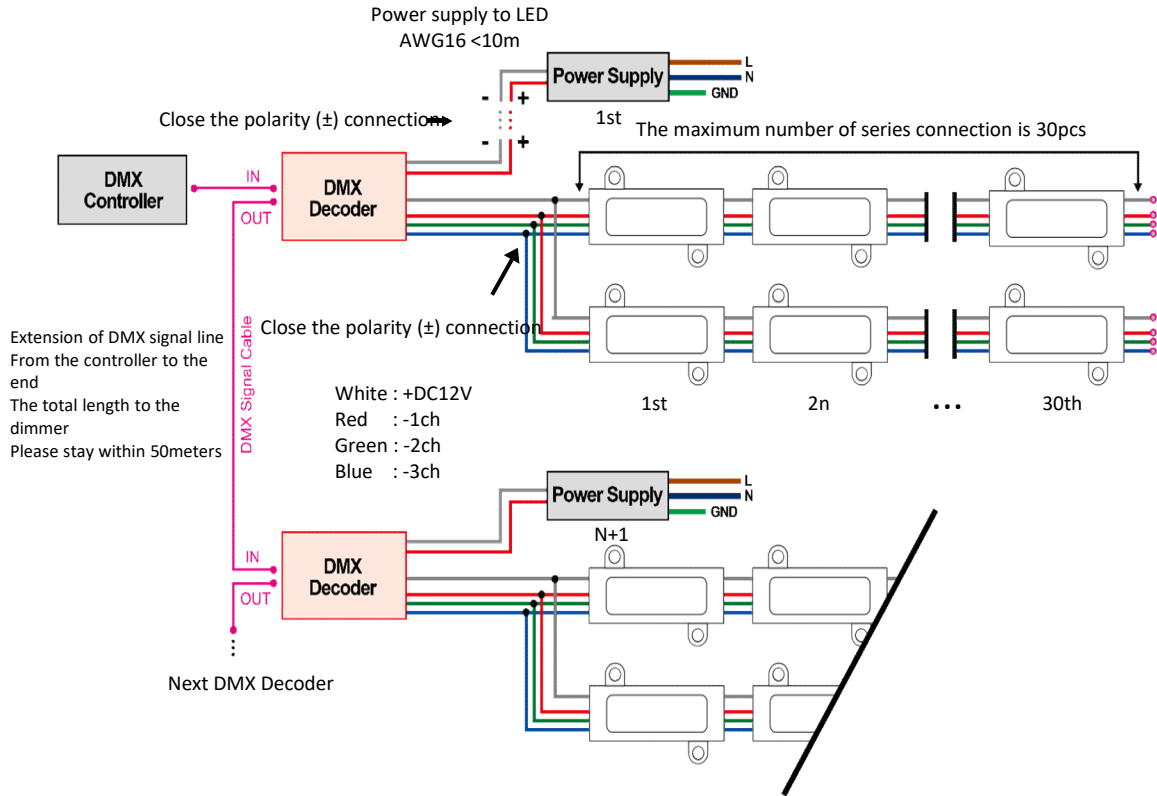
View : Side



Wire Colour Code		
1	Red	+DC12V
2	Green	Data
3	White	GND

Wiring Method

DMX Controller with RGB Trio (Non IC) System



SPI Cotroller with RGB Tiro (IC) System

