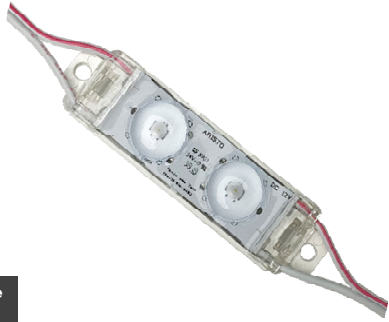


# Penta Wide Twin CV

PHOTOMETRIC	APPLICATION	SPECIFICATION	DIMMABLE
	Signage : Front Lit Lettering Back Lighting Depth : 80 ~ 300mm	Drive Mode DC 12V (CV)            Beam Angle 155°            Waterproof IP67            Dimmable            External Driver            Indoor            Outdoor            Custom Order	DIM            PWM            TRIAC            DALI            DMX            SPI

## General / Others Specification

Items	Specification
Driven Method	DC12V (Constant Voltage)
Beam Angle	155°
CRI	> Ra80
LED Module Pitch	300 ± 10 mm
LED Colour Bin	3 Steps MacAdam
Environment	Indoor / Outdoor (IP67)**1
Expected LED Life Span	L <sub>70</sub> = 40,000hrs @ 25°C
Operation Temp. / Hum.	-20°C ~ 50°C / 20% ~ 85% RH
Storage Temp.	-20°C ~ 70°C



Input Voltage  
DC 12V

\*\* Come with 30 numbers of LED modules in one chain.

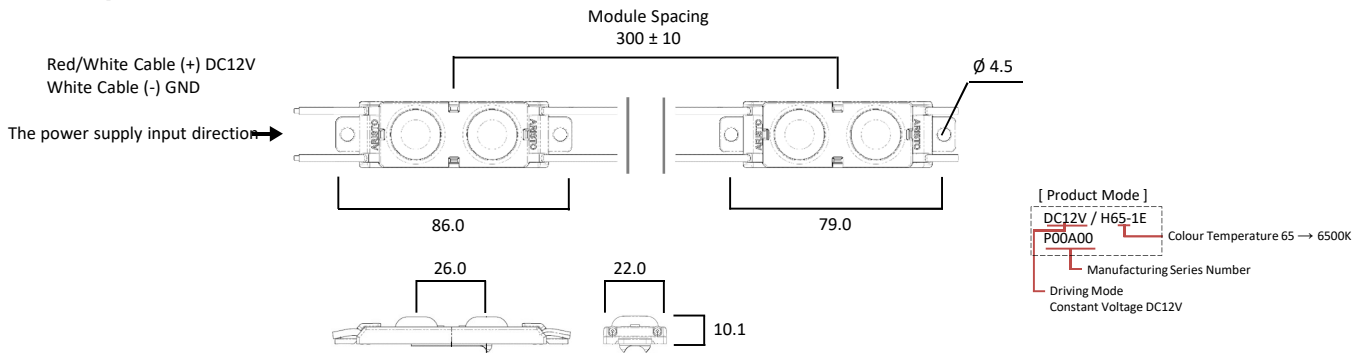
\*\*1 Not Suitable for use under direct Sun application

## Order / Model Code

<b>APWT1V</b>	<input type="checkbox"/>	<input type="checkbox"/>	<input type="checkbox"/>	<input type="checkbox"/>
<b>PRODUCT NAME</b>	<b>FLUX LEVEL</b>	<b>CCT</b>	<b>CRI</b>	<b>LED VERSION</b>
Penta Wide Twin	H : High	6.5 : 6500K 5.0 : 5000K 4.0 : 4000K 3.0 : 3000K	H : > 80	X

\*\* E : >90 CRI available upon request with MOQ term and condition

## Basic Specifications (Unit:mm)



## Specification (@25°C)

Models	CCT	Lumen (lm)	CRI (Ra)	Rated Power (W)	Pitch (mm)	Beam Angle (°)	Size (L x W x H) (mm)	Ave.Weight (g)
APWT1V-H65H_X	6500K	220	>80	2.5	300 ± 10	155	86.0 x 22.0 x 10.1	22.5
APWT1V-H50H_X	5000K	220						
APWT1V-H40H_X	4000K	220						
APWT1V-H30H_X	3000K	210						

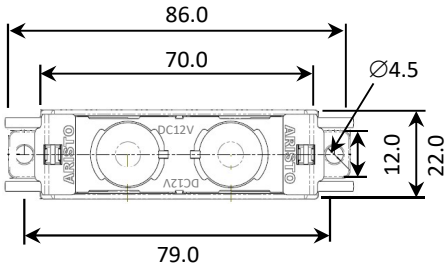
\*\* Wire gauge : AWG18 x 2 core

\*\* LED module mounting base must be a heat conductive metallic material

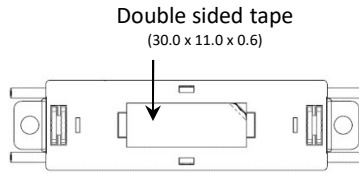
# Penta Wide Twin CV

■ **Design Item**

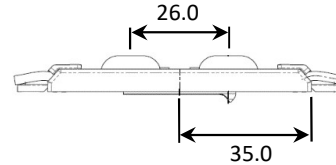
**View : Top**



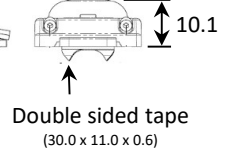
**View : Bottom**



**View : Side**



**View : Side**



■ **Wiring Method**

