

PHOTOMETRIC	APPLICATION	SPECIFICATION	DIMMABLE
	Signage : Back Lighting box Depth : 120 ~ 200mm	Drive Mode DC12V (CV) Beam Angle 155° Waterproof IP67 Dimmable External Driver Indoor Outdoor Custom Order	DIM PWM TRIAC DALI DMX SPI



**Input Voltage**  
DC 12V

\*\* Come with 15 numbers of LED modules in one chain

### General / Others Specification

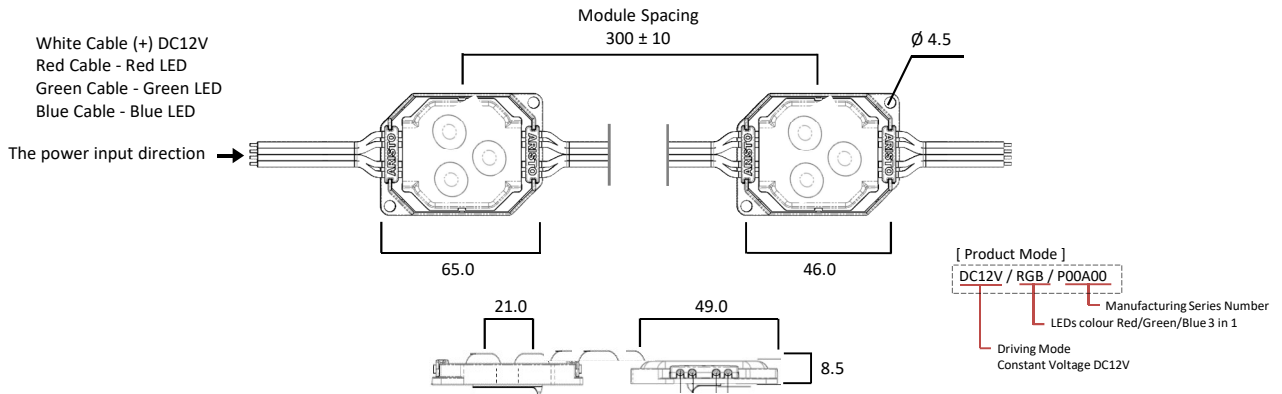
Items	Specification
Driven Method	DC12V (Constant Voltage)
Beam Angle	155°
CRI	-
LED Module Pitch	195 ± 10 mm
LED Colour Bin	-
Environment	Indoor / Outdoor (IP67)**1
Expected LED Life Span	L <sub>70</sub> = 20,000hrs @ 25°C
Operation Temp. / Hum.	-20°C ~ 50°C / 20% ~ 85% RH
Storage Temp.	-20°C ~ 70°C

\*\*1 Not Suitable for use under direct Sun application

### Order / Model Code

<b>APW1V12</b>	<b>RGB</b>	<input type="checkbox"/>
<b>PRODUCT NAME</b>	<b>LED COLOUR</b>	<b>LED VERSION</b>
Penta Wide RGB	RGB : Red/Green/Blue LEDs 3 in 1	X

### Basic Specifications (Unit:mm)



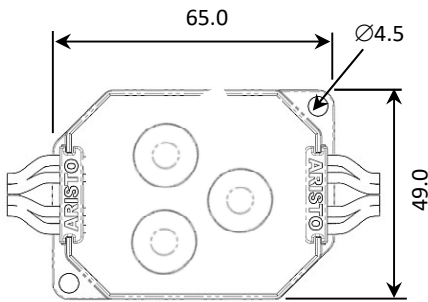
### Specification (@25°C)

Models	CCT	Lumen (lm)	Rated Power (W)	Pitch (mm)	Size (L x W x H) (mm)	Ave.Weight (g)
APW1V12-RGB_X	Red/Green/Blue(LEDs 3in1)	25 @ White	0.72 @ White	300 ± 10	65.0 x 49.0 x 8.5	22.00

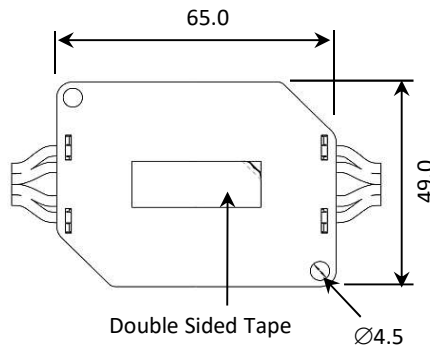
\*\* Wire gauge : AWG18

■ **Design Item**

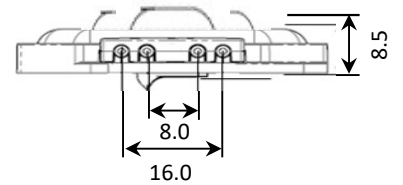
**View : Top**



**View : Bottom**



**View : Side**



■ **Wiring Method**

