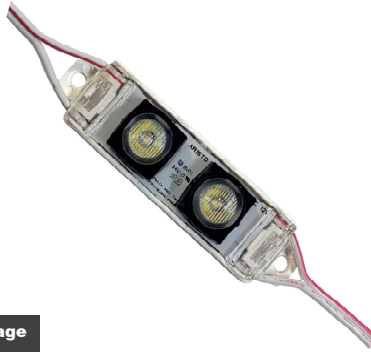


PHOTOMETRIC	APPLICATION	SPECIFICATION	DIMMABLE
	Signage : Front Lit Lettering Back Lighting Depth : 80 ~ 300mm	Drive Mode DC 12V (CV) Beam Angle 15°x50° Waterproof IP67 Dimmable External Driver Indoor Outdoor Custom Order	DIM PWM TRIAC DALI DMX SPI



**Input Voltage**  
DC 12V

\*\* Come with 30 numbers of LED modules in one chain

### General / Others Specification

Items	Specification
Driven Method	DC12V (Constant Voltage)
Beam Angle	15° x 50°
CRI	> Ra80
LED Module Pitch	120 ± 10 mm
LED Colour Bin	3 Steps MacAdam
Environment	Indoor / Outdoor (IP67)**1
Expected LED Life Span	L <sub>70</sub> = 40,000hrs @ 25°C
Operation Temp. / Hum.	-20°C ~ 50°C / 20% ~ 85% RH
Storage Temp.	-20°C ~ 70°C

\*\*1 Not Suitable for use under direct Sun application

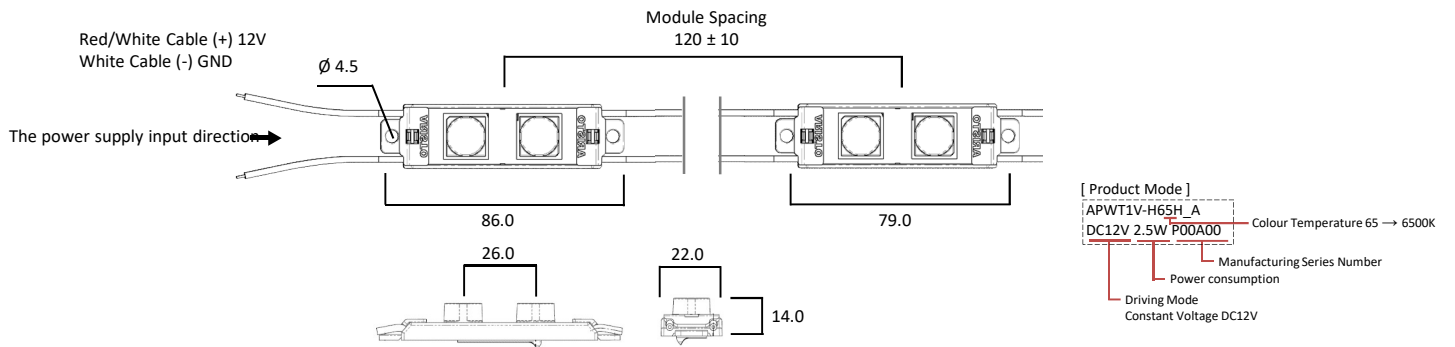
### Order / Model Code

**APET1V**

PRODUCT NAME	FLUX LEVEL	CCT	CRI	LED VERSION
Penta Elliptical Twin	H : High	6.5 : 6500K 4.0 : 4000K 3.0 : 3000K 2.7 : 2700K	H : > 80	X

\*\* E : >90 CRI available upon request with MOQ term and condition

### Basic Specifications (Unit:mm)



### Specification (@25°C)

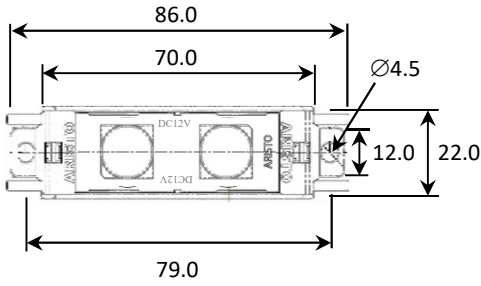
Models	CCT	Lumen (lm)	CRI (Ra)	Rated Power (W)	Pitch (mm)	Beam Angle (°)	Size (L x W x H) (mm)	Ave.Weight (g)
APET1V-H65H_A	6500K	205	>80	2.5	120 ± 10	15 x 50	86.0 x 22.0 x 14.0	23.0
APET1V-H40H_B	4000K	185						
APET1V-H30H_B	3000K	175						
APET1V-H27H_B	2700K	170						

\*\* Wire gauge : AWG20 x 2 single core

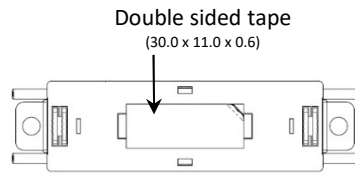
\* LED module mounting base must be a heat conductive metallic material

■ Design Item

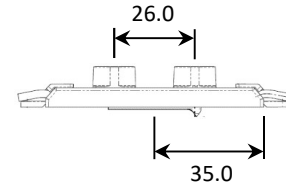
**View : Top**



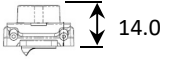
**View : Bottom**



**View : Side**



**View : Side**



■ Wiring Method

