
















Wide Angle Down Light

| PHOTOMETRIC | APPLICATION | SPECIFICATION | DIMMABLE |
|---|------------------|---|---|
|  | General Lighting |  Drive Mode AC90~240V  Beam Angle 82° / 107°  Waterproof IP20  Dimmable  External Driver  Indoor  Outdoor  Custom Order |  DIM  PWM  TRIAC  DALI  DMX  SPI |



Input Voltage
AC90V~240V

General / Others Specification

| Items | Specification |
|------------------------|---|
| Driven Method | AC90~240V |
| Beam Angle | DF112 Size = 82° / DF173 Size = 107° |
| CRI | > Ra90 |
| LED Colour Bin | 3 Steps MacAdam |
| Cut-off Hole Size (mm) | DF112 Size = Ø100 / DF173 Size = Ø147 |
| Environment | Indoor (IP20) |
| Expected LED Life Span | $L_{70} = 40,000\text{hrs @ } 25^{\circ}\text{C}$ |
| Operation Temp. / Hum. | -20°C ~ 50°C / 20% ~ 85% RH |
| Storage Temp. | -20°C ~ 70°C |

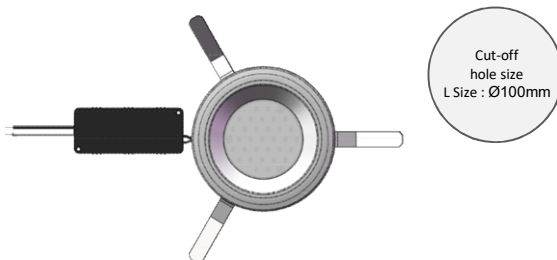
Order / Model Code

DF

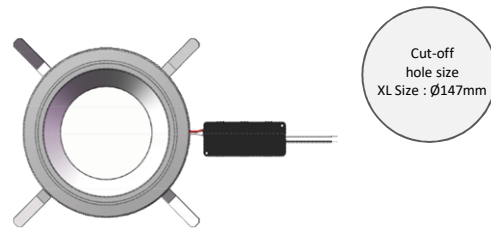
| PRODUCT NAME | TYPE OF PRODUCT | FLUX LEVEL | CCT | CRI | LED VERSION |
|--------------------------|----------------------------------|----------------------------------|--|-------------|-------------|
| Wide Angle Down Light | 112 : 112 x 50 173 : 173 x 58 | S : Small L : Low H : High | 50 : 5000K 40 : 4000K 30 : 3000K 27 : 2700K | E : Ra > 90 | X |

Basic Specifications (Unit:mm)

DF112 L Size Series



DF173 XL Size Series



Specification (@25°C)

| Size | Model | Models | CCT | Lumen (lm) | CRI (Ra) | Power (W) | Beam Angle (°) | Size (Diameter x L) (mm) | Ave.Weight (g) |
|------|-------|--------------|-------|---------------|-------------|--------------|-------------------|--------------------------------|-------------------|
| L | L | DF112L-50E_X | 5000K | 930 | >90 | 9.00 | 82 | Ø 112 x 50 | 800 |
| | | DF112L-40E_X | 4000K | 900 | | | | | |
| | | DF112L-30E_X | 3000K | 860 | | | | | |
| | | DF112L-27E_X | 2700K | 835 | | | | | |
| | H | DF112H-50E_X | 5000K | 1295 | >90 | 13.00 | 82 | | |
| | | DF112H-40E_X | 4000K | 1250 | | | | | |
| | | DF112H-30E_X | 3000K | 1195 | | | | | |
| | | DF112H-27E_X | 2700K | 1160 | | | | | |
| XL | S | DF173S-50E_X | 5000K | 1850 | >90 | 18.00 | 107 | Ø 173 x 58 | 1230 |
| | | DF173S-40E_X | 4000K | 1800 | | | | | |
| | | DF173S-30E_X | 3000K | 1720 | | | | | |
| | | DF173S-27E_X | 2700K | 1670 | | | | | |
| | L | DF173L-50E_X | 5000K | 2960 | >90 | 25.00 | 107 | | |
| | | DF173L-40E_X | 4000K | 2860 | | | | | |
| | | DF173L-30E_X | 3000K | 2735 | | | | | |
| | | DF173L-27E_X | 2700K | 2650 | | | | | |

** Wire gauge : AWG20 x 2 single core

Specification may be subject to change without announcement. Data is only for reference.

www.aristo.com.sg, Tel: (65) 64792358, Fax: (65) 65793558

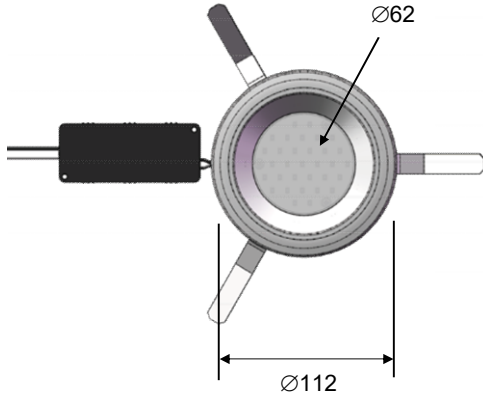
Rev.A (Jun-22)

Wide Angle Down Light

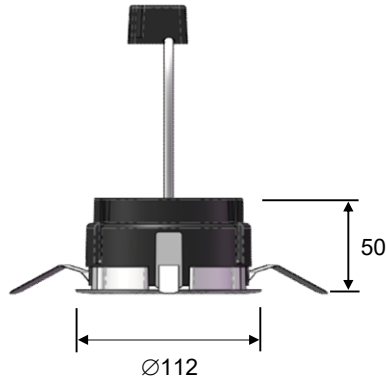
Design Item

DF112 L Size Series

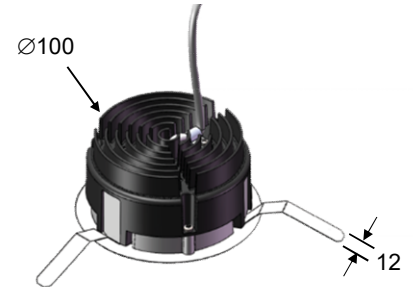
View : Top



View : Bottom

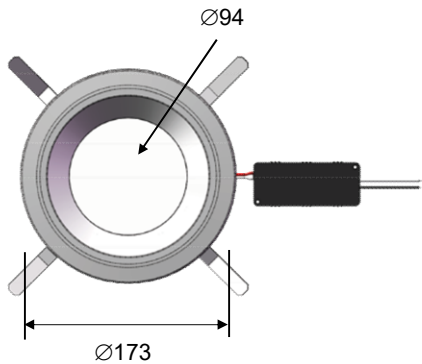


View : Side

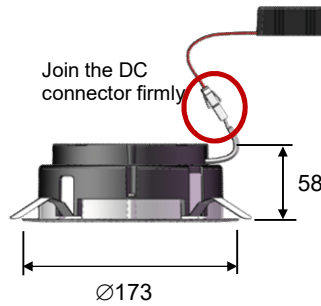


DF173 XL Size Series

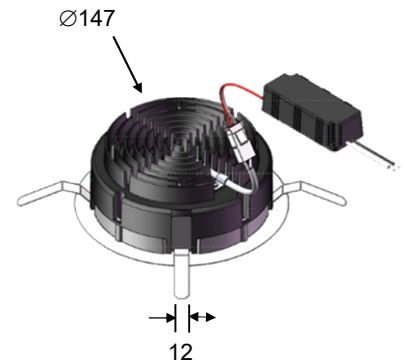
View : Top



View : Bottom

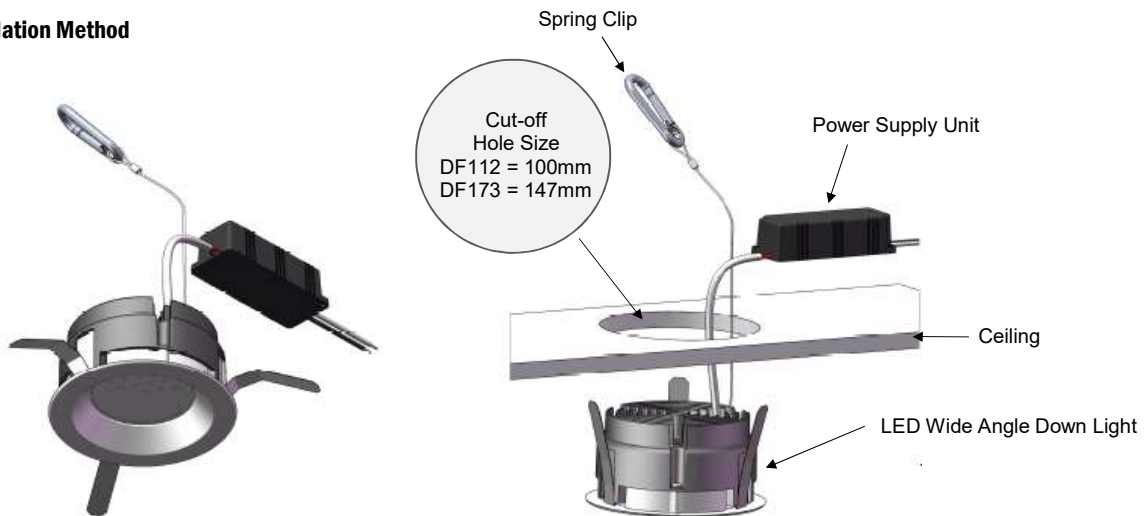


View : Side



Unit : mm
Tolerance ±1mm

Installation Method



** Option for dimming power supply require to have dimming signal input signal from third party.