

Penta Wide IV CC-C

PHOTOMETRIC	APPLICATION	SPECIFICATION	DIMMABLE
	Signage : Lettering Back Lighting Depth : 80 ~ 300mm	Drive Mode 700mA(CC) Beam Angle 155° Waterproof IP67 Dimmable External Driver Indoor Outdoor Custom Order	DIM PWM TRIAC DALI DMX SPI

General / Others Specification



**Input Current
700mA**

** Come with 30 numbers of LED modules in one chain

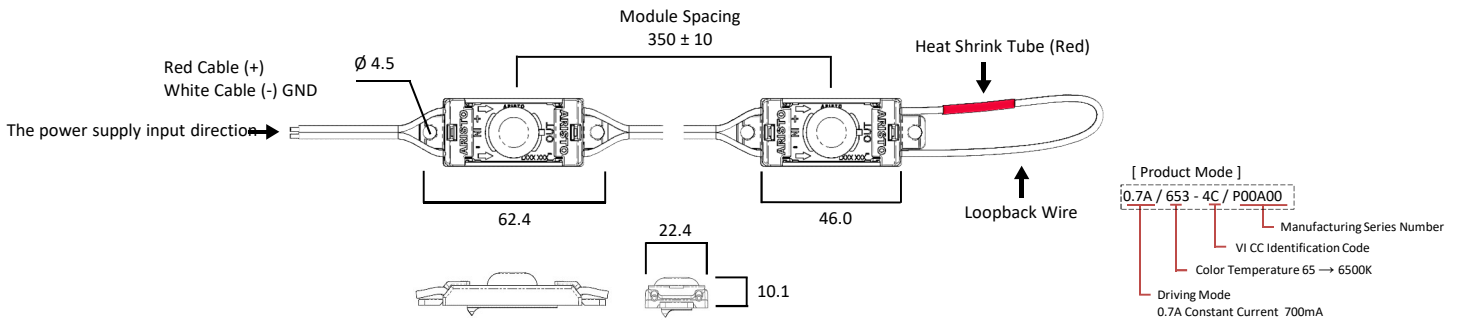
Items	Specification
Driven Method	700mA (Constant Current)
Beam Angle	155°
CRI	6500K : > Ra70 / 2700-5000K : > Ra80
LED Module Pitch	350 ± 10 mm
LED Colour Bin	3 Steps MacAdam
Environment	Indoor / Outdoor (IP67) ^{**1}
Expected LED Life Span	L ₇₀ = 40,000hrs @ 25°C
Operation Temp. / Hum.	-20°C ~ 50°C / 20% ~ 85% RH
Storage Temp.	-20°C ~ 70°C

^{**1} Not Suitable for use under direct Sun application

Order / Model Code

APW4C	-	<input type="checkbox"/>	<input type="checkbox"/>	<input type="checkbox"/>	-	<input type="checkbox"/>
PRODUCT NAME	-	CCT		CRI	-	LED VERSION
Penta Wide IV		6 5 : 6500K	3 5 : 3500K	M : > 70		C
		5 0 : 5000K	3 0 : 3000K	H : > 80		
		4 0 : 4000K	2 7 : 2700K			

Basic Specifications (Unit:mm)



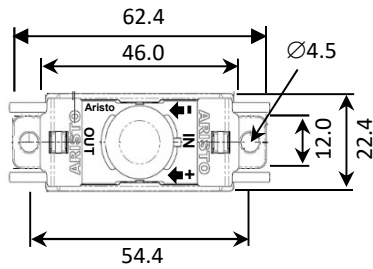
Specification (@25°C)

Models	CCT	Lumen (lm)	CRI (Ra)	Input DC Current (mA)	Rated Power (W)	Pitch (mm)	Beam Angle (°)	Size (L x W x H) (mm)	Ave.Weight (g)
APW4C-65M_C	6500K	265	>70	700	2.1	350 ± 10	155	62.4 x 22.4 x 10.1	16
APW4C-50H_C	5000K	240	>80						
APW4C-40H_C	4000K	240							
APW4C-35H_C	3500K	240							
APW4C-30H_C	3000K	230							
APW4C-27H_C	2700K	220							

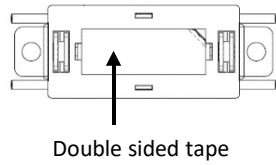
** Wire gauge : AWG20 x 2 single core

Design Item

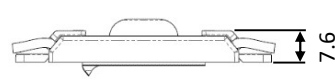
View : Top



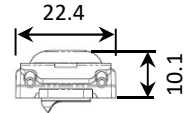
View : Bottom



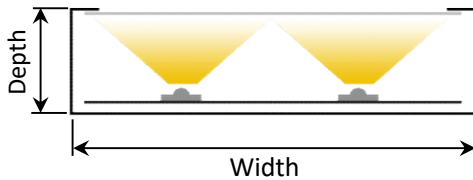
View : Side



View : Side



Depth and Pitch



$$D : P = 1 : 2$$

Depth - Pitch	Lumen
D80 - P160	7600lx
D100 - P200	5000lx
D120 - P240	3500lx
D150 - P260	2900lx

Power supply (Constant Current) and No. of Penta Wide IV CC in one series connection table

Power Supply Rated Power (W)	Output Voltage (VDC)	No. of Penta Wide IV CC for (White & Warm White) LED in one series or parallel connection
30 (1026-36-C700)	23 ~ 42	9 ~ 13
105 (105W-M062)	20 ~ 62	8 ~ 19
105 (105W-M150)	60 ~ 150	23 ~ 45
150 (150W-M214)	80 ~ 214	30 ~ 65

○ LED forward voltage from 2.7V ~ 3.3V

* **Warning** - Always make sure all the connection are properly done before power "ON" the power supply.

* **DO NOT** connect the LED module with Power "ON" condition.

* LED module mounting base must be a heat conductive metallic material

Wiring Method

