

# PENTA WIDE RGB

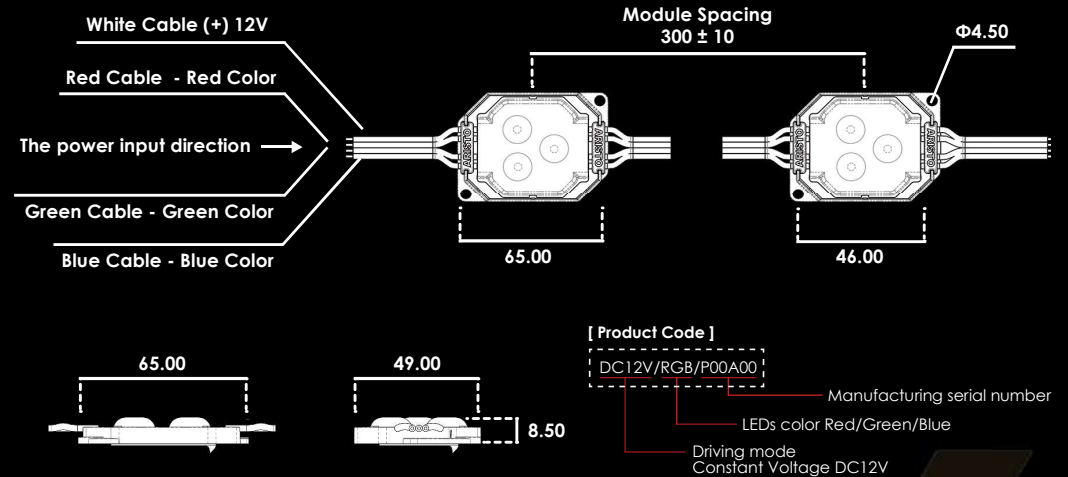
POWER	COLOUR	APPLICATION	SPECIFICATION	DIMMING	PRODUCT SPEC
Constant Voltage DC12V	Full color range 16.77 million hues	Signage : Back Lighting Box Depth : 120 ~ 200mm	 Dimmable  IP67  Indoor  Outdoor  External Driver  Custom Order  Beam Angle	DIM PWM TRIAC DALI <b>DMX</b> SPI	



• Come with 15 numbers of LED modules in one chain

## 1 BASIC SPECIFICATION

Unit : mm

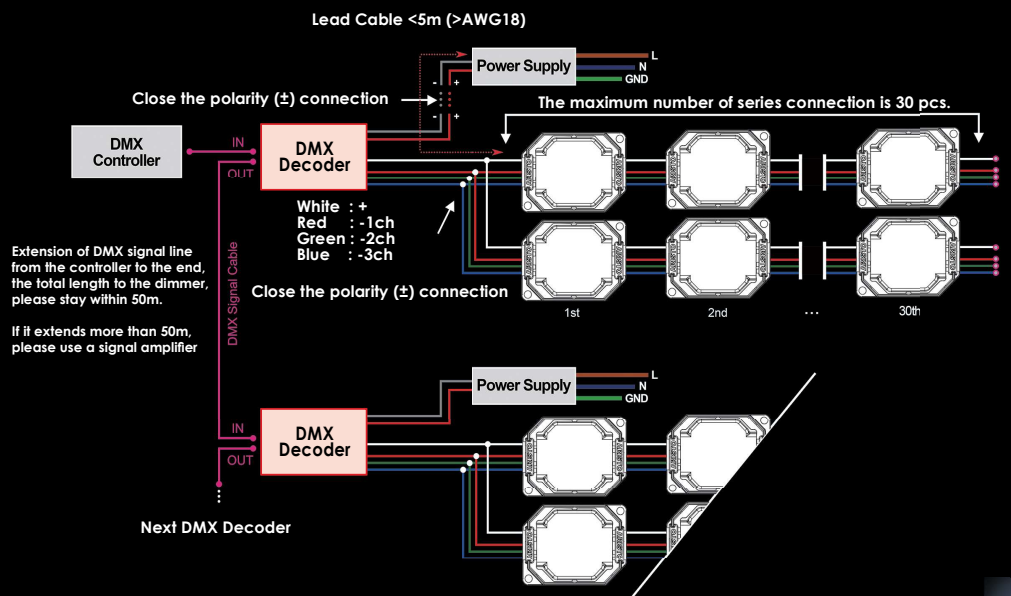


Items	APW1V12-RGB_X
Colour temperature	Red / Green / Blue 3 in 1 LEDs
Lumen	RGB-25 lm @ White
Rated Power	0.72 W
LED Voltage	DC12V
Beam Angle	160°
IP Level	IP67 (Do not expose to direct sunlight)
Module Pitch	300mm ± 10 mm
Weight	22 g

# INSTALLATION GUIDE

## 2 WIRING METHOD

### ⚠ Caution 1 - Maximum LED module per series connection

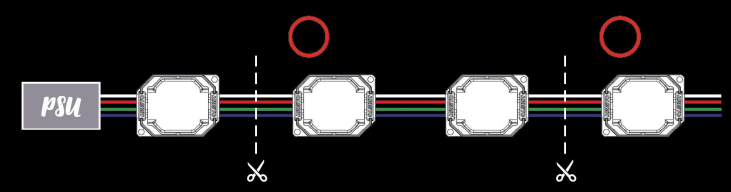


### ⚠ Caution 1 - Connection Polarity



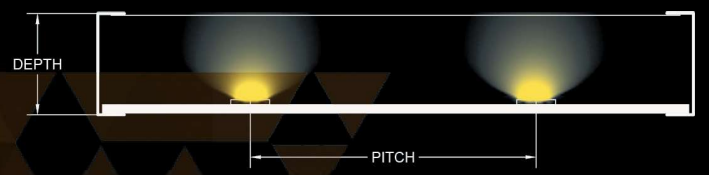
- Regardless of the type of the connector, input and output are possible from either direction.
- Incorrect wiring may cause fire or malfunction.

### ⚠ Caution 2 - Cutting Wiring



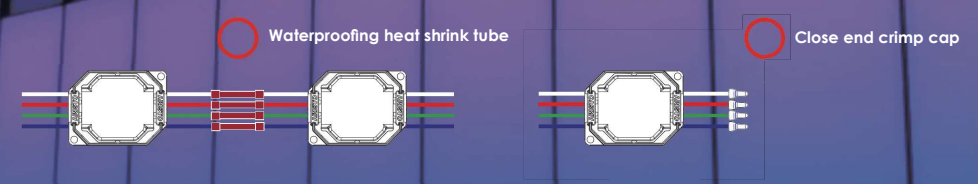
- The product cord can be disconnected and reconnected anywhere.
- When cutting and extending the wiring, use a cable of 0.75 sq. (AWG18) or more a withstand voltage of 300V or more.

## 3 DESIGN STANDARD

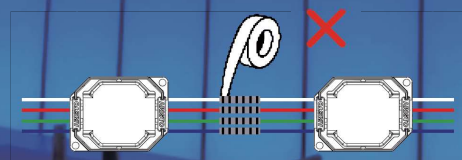


\*Optimum Performance Ratio 1D : 1.8~2.0P

### ⚠ Caution 3 - Waterproof Connection



- Between module to module : Waterproofing by using waterproof heat shrink tubes.
- Termination processing : Applying caulking and silicone sealing resin with Dalman terminals and waterproofing.



- Not allow only wrap with the vinyl tape, water may seep in through the tape.