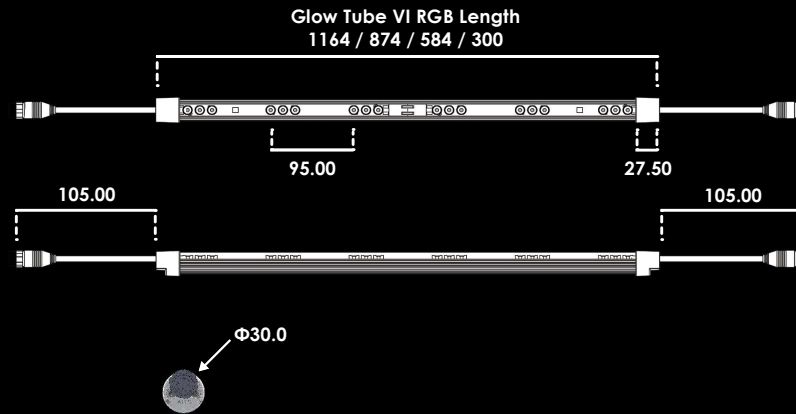


GLOW TUBE VI RGB

POWER	COLOUR	APPLICATION	SPECIFICATION	DIMMING	PRODUCT SPEC
Constant Voltage DC24V	Full color range 16.77 million hues	Facade Lighting Indoor Wall Wash	 Dimmable  IP65  Indoor  Outdoor  External Driver  Custom Order  Beam Angle	DIM PWM TRIAC DALI DMX SPI	

1 BASIC SPECIFICATION

Unit : mm



[Product Code]

GT612-RGB36_X
 DC12V - 31.68W RGB (P00A00)

Color temperature
RGB → Red/Green/Blue LEDs

Manufacturing serial number
Power consumption

Driving mode
Constant Voltage DC12V

Product Length
12 → L = 1164mm 06 → L = 584mm
09 → L = 874mm 03 → L = 300mm

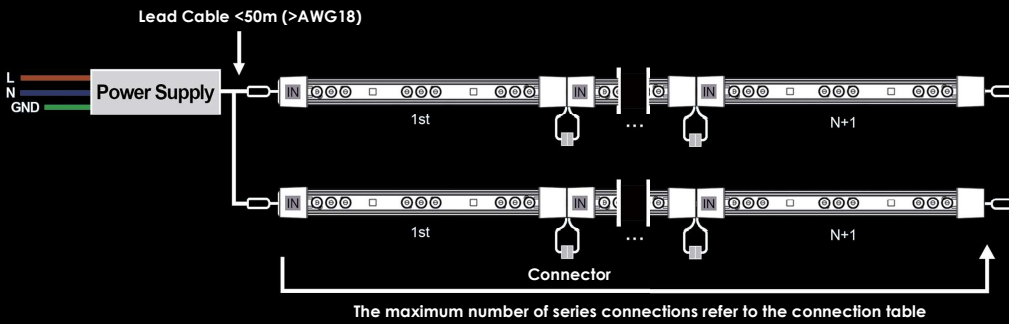
Items	1 ft	2 ft	3 ft	4 ft
	GT603-RGB36_X	GT606-RGB36_X	GT609-RGB36_X	GT612-RGB36_X
LEDS	18 pcs	36 pcs	54 pcs	72 pcs
Colour Temperature	Red / Green / Blue LEDs			
Lumen	260 lm @ White	520 lm @ White	780 lm @ White	1040 lm @ White
Power	7.92 W	15.84 W	23.76 W	31.68 W
Input Voltage	DC24V			
Length	Ø30 X 300 mm	Ø30 X 584 mm	Ø30 X 874 mm	Ø30 X 1164 mm
Weight	185 g	370 g	555 g	740 g
Beam Angle	30° x 60°			
IP Level	IP65			

** Others LED color / CCT available upon request.

INSTALLATION GUIDE

2 WIRING METHOD

⚠ Caution 1 - Maximum Linear Lighting per series connection



3 DESIGN STANDARD

Connection Table (For reference)

Power Supply DC24V	1ft Max.	2ft Max.	3ft Max.	4ft Max.
35W	7	3	2	1
50W	10	5	3	2
100W	21	10	7	5
150W	32	16	10	8

** Maximum current <math>< 4A</math> in one series connection.

ANGLE-ADJUSTABLE SWIVEL BRACKET

Swivel (Unit : mm) (Fitting to be inserted into the bracket)

Option 1 (Indoor)



End Cap

Both sides with wire



Option 2 (Outdoor)



METAL CLIP DIMENSION
30.00 x 22.00 x 7.00

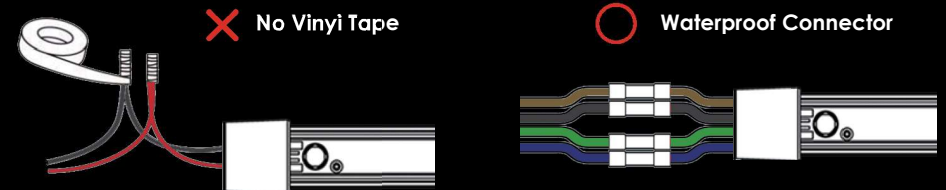
⚠ Caution 1 - Connection Polarity

BLACK : +DC24V
BROWN : Red LED
BLUE : Blue LED
GREEN : Green LED



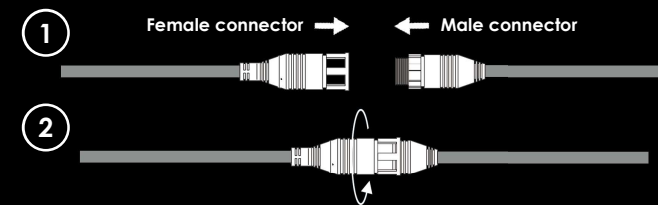
- Make Sure the wire color and polarity are correct.
- Incorrect wiring may cause fire or malfunction.

⚠ Caution 2 - Waterproof Connector



- Wrapping by a general vinyl tape for wiring connection is prohibited.
- Apply waterproof treatment with self-adhesive tape or waterproof heat shrinkable tube.

⚠ Caution 3 - Waterproof cap on the terminal connector.



1. Make sure correct insert the Male and Female connector firmly.
2. Tighten the connector by screwing the screw.