

FL2500/FL5000 Floodlight

High Performance LED Floodlight

- Suitable to install for wide signboard and areas (Diffuse effect)
- Very light and easy to install with direct AC input
- Less glare with the diffuse and reflector design
- Optional (DC 24V, Dimming) control available upon request



AC 100V ~ 240V



Built-in Driver

Order / Model Code

FB	***	-	**	*	*	-	*
Product name	Model	-	LED CCT	CRI	Case Colour	-	Version
	25 : Wide 50W : Wide 50N : Narrow		6 5 : 6500K 5 0 : 5000K 4 0 : 4000K 2 7 : 2700K	M : > 70 H : > 80	B : Black W : White Nil : Grey		X



Specification (@25°)

Type	Models	LED CCT	Lumen (lm)	CRI	Beam Angle (°)	Power (W)	Beam Angle (°)	Size LxWxH (mm)	Average Weight (kg)
2,500 (Wide)	FB25-65M_X	6500K	2,880	>70	105	30.0	105	198 X 193 X 46	1.23
	FB25-50H_X	5000K	2,820	>80					
	FB25-27H_X	2700K	2,550	>80					
5,000 (Wide)	FB50W-65M_X	6500K	5,140	> 70	105	69.0	105	305 X 305 X 71	3.03
	FB50W-50H_X	5000K	5,145	> 80					
	FB50W-40H_X	4000K	5,630	> 80					
	FB50W-27H_X	2700K	4,365	> 80					
5,000 (Narrow)	FB50N-65M_X	6500K	5,995	> 70	57	69.0	57	305 X 305 X 71	3.63
	FB50N-50H_X	5000K	6,000	> 80					
	FB50N-40H_X	4000K	6,250	> 80					
	FB50N-27H_X	2700K	5,100	> 80					

* Others LED and Case colour available upon request

General / Others Specification

Items	Specification
Input Voltage (AC)	100V ~ 240V
Driver Certified by	PSE, CE, UL8750, UL1012, UL935, EN61347-1, EN61347-2-13
Expected LED Life Span	50,000hrs @ 25°C
LED Colour Bin	3 Steps MacAdam
Luminaire beam angle	105° and 57°
Wire length from the casing	1400 +0/-100mm
Wire gauge	AWG18 X 2 core
Luminaire Certified By	Safety IEC62471 ; IEC62031, IEC60598-2-5, IEC60598-1:2003+A1:2006
Environment	Outdoor IP65 (IEC60529 : 2001)
Casing Material & Cooling by	Anodize (Black) & White natural conduction and convection
Dimming	Optional (DC24V, 1~10V)
Mounting Method	Handle (Screws), G-Clamp (Optional)
Operation Temperature / Humidity	-20°C ~ 50°C / 20% ~ 85% RH

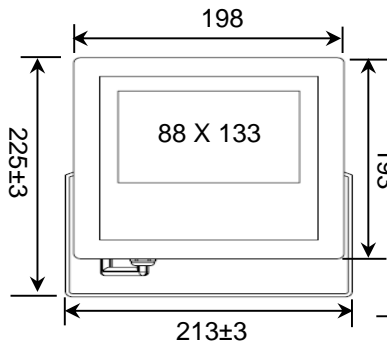
Specification may be subject to change without announcement. Data is only for reference.

FL2500/FL5000 Floodlight

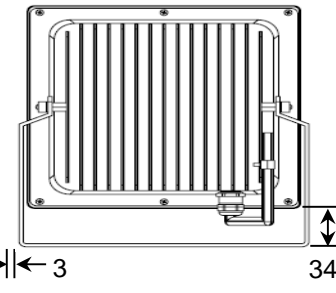
Floodlight 2500 (W) Series

Unit : mm
Tolerance ±1mm

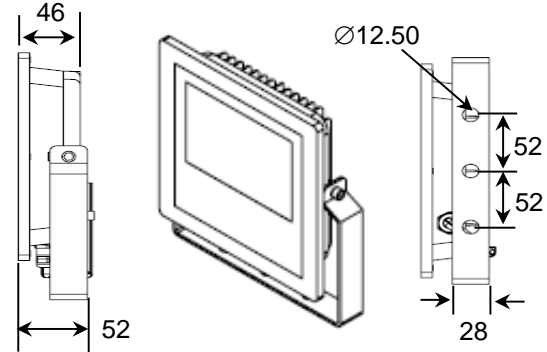
View : Top



View : Back

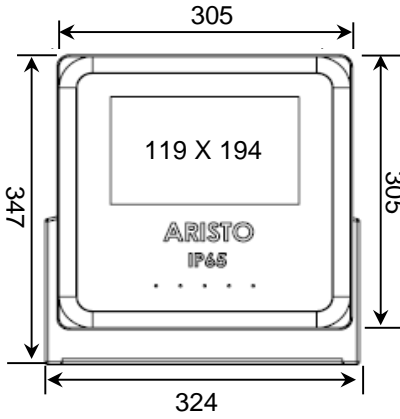


View : Side

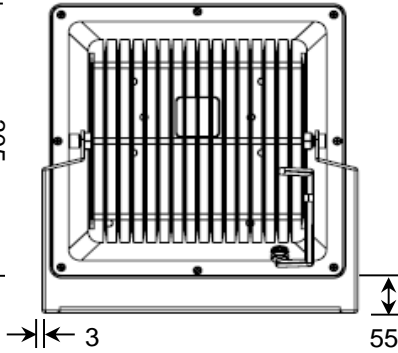


Floodlight 5000 (W) Series

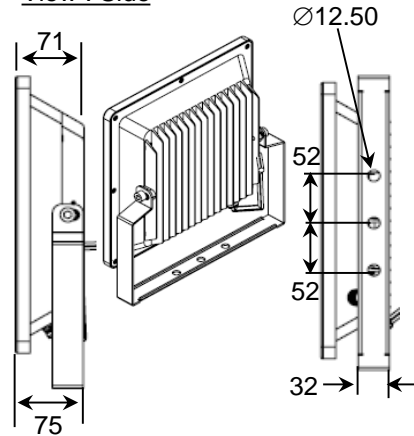
View : Top



View : Back

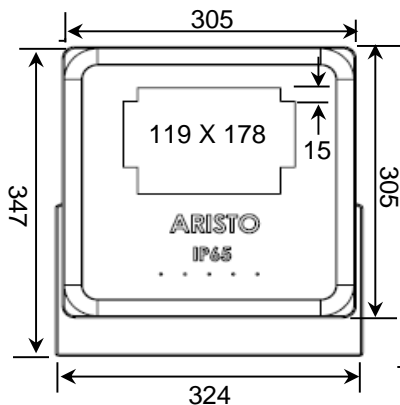


View : Side

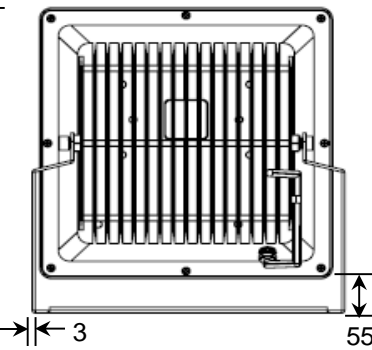


Floodlight 5000 (N) Series

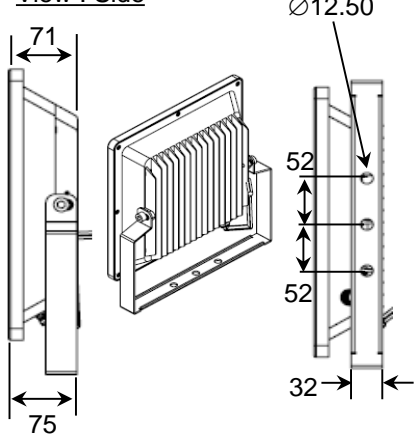
View : Top



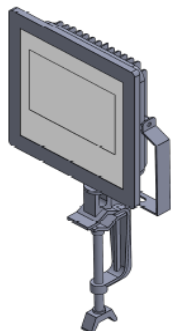
View : Back



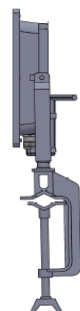
View : Side



*Optional (Site Light Series)



Floodlight



G-Clamp