

AC High Bay Light (Modular) Series

High Performance LED High Bay Light

- Suitable to install at height of 8m to 20m
- Less glare with the specific optical design
- Very light and easy to install, suitable for warehouse, factory, sport hall and shopping mall



AC 100V ~ 240V



Built-in Driver



Dimmable

Order / Model Code

HBL	***	**	-	**	*	*	-	*
Product name	Lumen Output	B.Angle (°)		CCT	CRI	C.Color		Version
	0 7 : 5,350 1 4 : 14,240 2 0 : 21,035	1 0 : 103° 6 0 : 6 8° 4 0 : 4 0°		6 5 : 6500K 5 0 : 5000K 3 0 : 3000K	H : > 80	S: Sliver		X



Specification (@25°)

Models	CCT	Lumen (lm)	CRI (Ra)	Beam Angle (°)	AC Power (W)	Size (mm) L X W X H	Weight (Kg)
HBL0710-65HS	6500K	5,350	>80	103 (Diffuse)	50	260 X 105 X 195	2.50
HBL0710-50HS	5000K	5,350					
HBL0710-30HS	3000K	5,145					
HBL1460-65HS	6500K	14,240	>80	68	100	260 X 168 X 195	3.60
HBL1460-50HS	5000K	14,240					
HBL1460-30HS	3000K	13,695					
HBL2060-65HS	6500K	21,035	>80	68	150	260 X 258 X 195	4.20
HBL2060-50HS	5000K	21,035					
HBL2060-30HS	3000K	20,230					
HBL2040-65HS	6500K	21,460	>80	40	150	260 X 258 X 195	4.20
HBL2040-50HS	5000K	21,460					
HBL2040-30HS	3000K	20,640					

Specification may be subject to change without announcement. Data is only for reference.

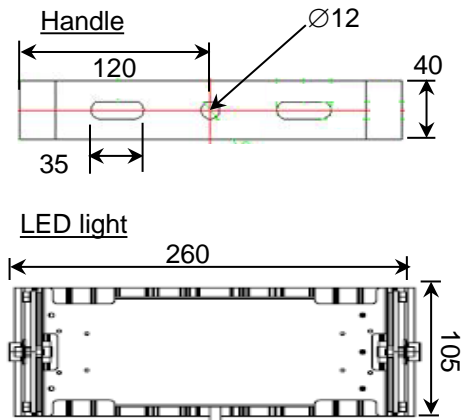
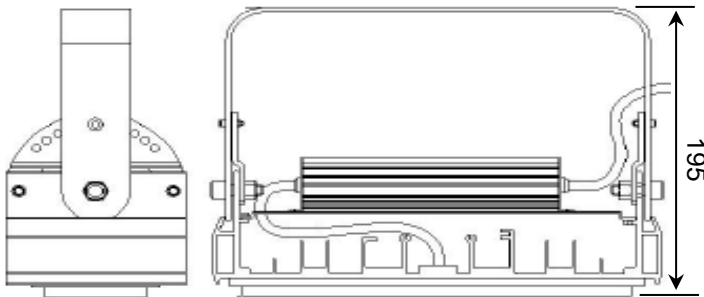
AC High Bay Light (Modular) Series

General / Others Specification

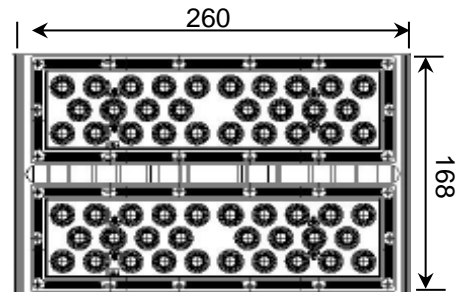
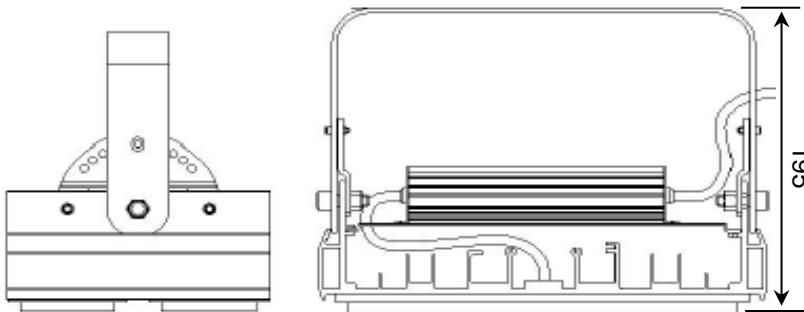
Items	Specification
Input voltage	100-240V
Driver certify by	CE, EN61347-1, EN61347-2-13
Expected LED Life Span	50,000hrs @ 25°C
LED Colour Bin	5 Steps MacAdam
Luminaire Certified by	CE
Environment	IP66
Casing Material / Cooling Method	Anodized (Silver) & Natural conduction and convection
Dimming	Optional (1~10V)
Mounting	Eye bolt / Stud (M12)
Operation Temperature / Humidity	-20°C ~ 50°C / 20% ~ 85% RH

High Bay 50W 1 Modular Series

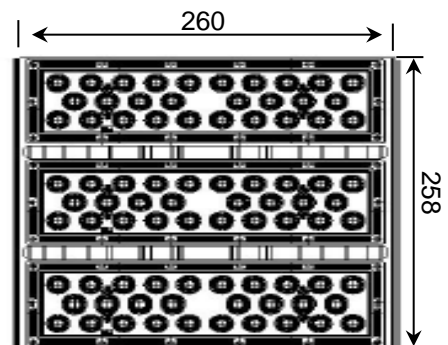
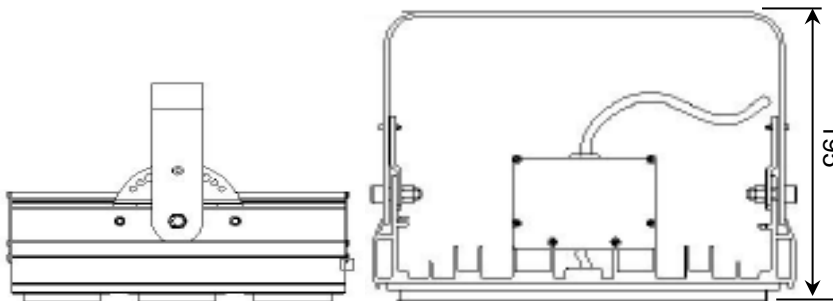
View : Side



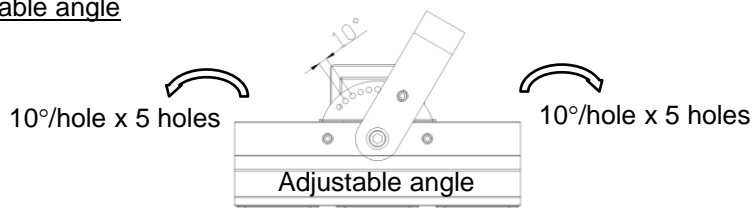
High Bay 100W 2 Modular Series



High Bay 150W 3 Modular Series



Adjustable angle



Specification may be subject to change without announcement. Data is only for reference.